

POWERED MIXER

# SRP-X351P

## Operating Instructions

Thank you for purchasing this Sony product. Please be sure to read this manual before using this product. After reading, keep the manual in a safe place for future reference.

### CONTENTS

Safety Information .....	2
Main Feature .....	3
Names and Functions .....	4
Installation of The Tuner Unit ..	9
External Dimensions .....	9
Block Diagrams .....	10
Main Specifications .....	11
Troubleshooting .....	Back Cover

# Warning

## English

### WARNING

To prevent fire or shock hazard, do not expose the unit to rain or moisture.

To avoid electrical shock, do not open the cabinet. Refer servicing to qualified personnel only.

- Operate the unit only on 230V AC, 50/60 Hz.

## Français

### AVERTISSEMENT

Afin d'éviter tout risque d'incendie ou d'électrocution, ne pas exposer l'appareil à la pluie ou à l'humidité.

Afin d'écartier tout risque d'électrocution, garder le coffret fermé. Ne confier l'entretien de l'appareil qu'à un personnel qualifié.

- Faites uniquement fonctionner cet appareil sur une tension de 230 V CA, 50/60 Hz.

## Español

### ADVERTENCIA

Para evitar incendios o el riesgo de electrocución, no exponga la unidad a la lluvia ni a la humedad.

Para evitar descargas eléctricas, no abra la caja. En caso de avería solicite los servicios de personal cualificado solamente.

- Alimente la unidad sólo con 230 V CA, 50/60 Hz.

## Deutsch

### VORSICHT

Um die Feuergefahr und die Gefahr eines elektrischen Schlages zu vermeiden, darf das Gerät weder Regen noch Feuchtigkeit ausgesetzt werden.

Um einen elektrischen Schlag zu vermeiden, darf das Gehäuse nicht geöffnet werden. Überlassen Sie Wartungsarbeiten stets nur einem Fachmann.

- Betreiben Sie das Gerät ausschließlich an 230 V Wechselspannung, 50/60 Hz.

## Nederlands

### WAARSCHUWING

Stel het apparaat niet bloot aan regen of vocht, om gevaar van brand of een elektrische schok te voorkomen.

Open niet de behuizing, om gevaar van elektrische schokken te vermijden. Laat reparaties aan de erkende vakhandel over.

- Last dit toestel enkel werken op 230 V wisselstroom, 50/60 Hz.

## Svenska

### VARNING

Utsätt inte apparaten för regn och fukt för att undvika riskerna för brand och/eller elektriska stötar.

Öppna inte höljet. Det kan resultera i risk för elektriska stötar. Överlåt allt reparations- och underhållsarbete till fackkunniga tekniker.

- Du kan endast driva apparaten med 230 V växelström, 50/60 Hz.

## Italiano

### ATTENZIONE

Per evitare il pericolo di incendi o scosse elettriche, l'apparecchio non deve essere esposto alla pioggia o all'umidità.

Per evitare scosse elettriche, non aprire l'apparecchio. Per le riparazioni rivolgersi solo a personale qualificato.

- Far funzionare l'apparecchio con corrente alternata a 230 V, 50/60 Hz.

## Norsk

### ADVARSEL

For å hindre brann og støtfare må enhetens overflate ikke utsettes for regn eller fuktighet.

For å unngå elektrisk støt må kassen ikke åpnes. Service må bare utføres av kvalifisert personell.

- Enheten må bare betjenes ved 230 V vekselstrøm, 50/60 Hz.

## Suomi

### VAROITUS

Tulipalon ja iskuvaaran välttämiseksi ei laitetta saa altistaa sateelle ja kosteudelle.

Sähköiskun välttämiseksi ei koteloä saa avata. Anna vain asiantuntijan suorittaa huolto.

- Laite käyttää 230 V:n vaihtovirtaa, jonka taajuus on 50/60 Hz.

## Dansk

### ADVARSEL

For at undgå faren for brand eller elektrisk stød må udstyret ikke udsættes for regn eller kraftig fugt.

Åbn ikke kabinettet, da der er risiko for elektriske stød. Overlad alle reparationer til kvalificeret servicepersonale.

- Betjen kun enheden med 230 V vekselstrøm, 50/60 Hz.

## Português

### ADVERTÊNCIA

Para evitar o risco de incêndio ou de choques eléctricos, não exponha o aparelho à chuva nem à humidade.

Para evitar descargas eléctricas, não abra o aparelho. Peça assistência somente a técnicos especializados.

- O aparelho só deve ser utilizado com corrente de 230 V CA, 50/60 Hz.

## For the customers in Europe

This product with the CE marking complies with both the EMC Directive(89/336/EEC) and the Low Voltage Directive (73/23/EEC) issued by the Commission of the European Community.

Compliance with these directives implies conformity to the following European standards:

- EN60065 :Product Safety
- EN55103-1:Electromagnetic Interference(Emission)
- EN55103-2:Electromagnetic Susceptibility(Immunity)

This product is intended for use in the following Electromagnetic Environment(s):

E1(residential),E2(commercial and light industrial),E3 (urban outdoors) and E4(controlled EMC environment ex. TV studio).

### Peak inrush current

- (1)Power ON,current probe method: 29A (240V)
- (2)Hot switching inrush current, measured in accordance with European standard EN55103-1: 25A (230V)

## Pour les clients européens

Ce produit portant la marque CE est conforme à la fois à la Directive sur la compatibilité électromagnétique (EMC) (89/336/CEE) et à la Directive sur les basses tensions (73/23/CEE) émises par la Commission de la Communauté européenne.

La conformité à ces directives implique la conformité aux normes européennes suivantes:

- EN60065 :Sécurité des produits
- EN55103-1:Interférences électromagnétiques (émission)
- EN55103-2:Sensibilité électromagnétique (immunité)

Ce produit est prévu pour être utilisé dans les environnements électromagnétiques suivants:

E1(résidentiel),E2(commercial et Industrie légère),E3 (urbain extérieur) et E4(environnement EMC contrôlé ex. studio de télévision).

### Appel de courant de crête

- (1)Mise sous tension (ON), méthode de sondage du courant: 29A (240V)
- (2)Mesuré conformément à la norme européenne EN55103-1: 25A (230V)

## Für Kunden in Europa

Dieses Produkt besitzt die CE-Kennzeichnung und erfüllt sowohl die EMV-Direktive (89/336/EEC) als auch die Dilevtive Niederspannung (73/23/EEC) der EG-Kommission. Die Erfüllung dieser Direktiven bedeutet Konformität für die folgenden Europäischen Normen:

- EN60065 :Produktsicherheit
- EN55103-1:Elektromagnetische Interferenz(Emission)
- EN55103-2:Elektromagnetische Empfindlichkeit(Immunität)

Dieses Produkt ist für den Einsatz unter folgenden elektromagnetischen Bedingungen ausgelegt:

E1(Wohnbereich),E2(kommerzeller und in beschränktem Maße industrieller Bereich),E3(Stadtbereich im Freien) und E4(kontrollierter EMV-Bereich, z.B. Fernsehstudio).

### Spitzenstrom

- (1)Einschaltstrom, Stromsonde: 29A (240V)
- (2)Gemessen in EN55103-1: 25A (230V)

## Powered Mixer Has 170W+170W(4Ω) Power Amplifier, and 4 Microphones, 3 Line Inputs.

Built-in power amplifier satisfy a small PA system with 170W+170W (4Ω) output.

Mixing of 4 microphone inputs and 3 stereo (line) inputs

Line input (ST3) can be select 4 AV's one.

### Wireless Tuner Unit Can Be Installed

Two UHF SYNTHESIZED TUNER UNIT WRU-801A or WRU-806A can be installed.

Wireless microphone system can be easy to set up.

### Wireless Remote Controller supplied

AV input selection, master volume and MUTING can be controlled.

Simple work of Sony's CD player or MD player, Cassette Deck can be operated\*.

\* AV equipment supplied with a wireless remote control or with Control-S terminal only

### Exclusive Input Connectors for Recording Equipment

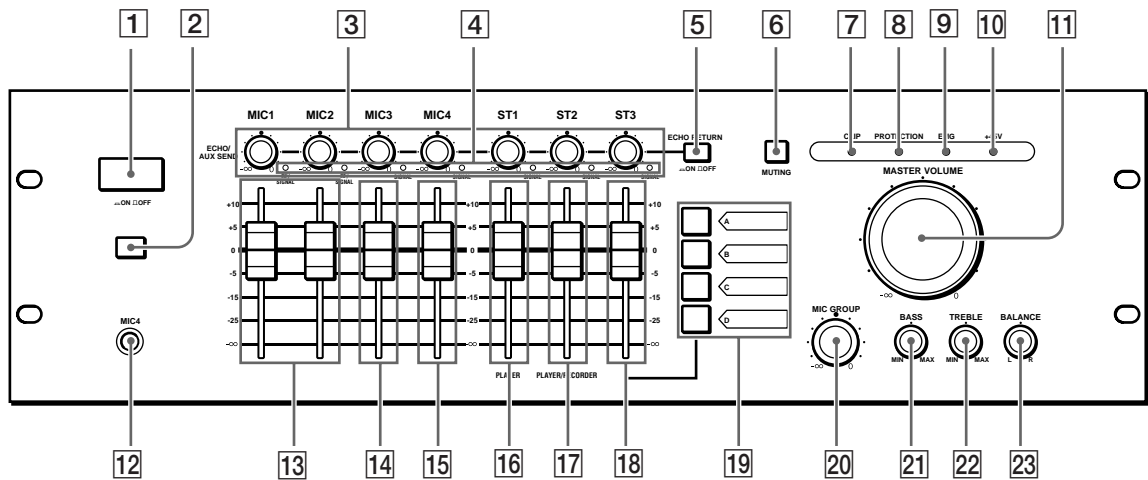
Line input (ST2) is separated from REC bass to avoid oscillation come from flowing of its own signal.

### Enough Number of Input/Output Terminals, Various Function

- 1 The master input to connect equalizer or limiter.
- 2 The ECHO SEND/RETURN terminals for connect Echo equipment
- 3 The ASSIGN SWITCH cuts the microphone signals from MASTER OUTPUT.
- 4 Tone control (BASS, TREBLE), BALANCE switch of stereo/monaural and MUTING button.
- 5 The MIC GROUP knob for centralized control of summing signal from 4 microphone inputs.
- 6 The CONTROL-S terminal
- 7 The RS-232C REMOTE terminal
- 8 EIA standard 19 inch rackmountable (3U high)

# Names and Functions

## Front panel



### 1 POWER button

Pressing it turns on the power.

### 2 Wireless remote control sensor

It catches the signal from the infrared wireless remote control.

If this sensor is covered by something, the remote control may not function correctly. Place the unit so that the sensor will be easy to receive the remote control signal.

### 3 ECHO/AUX SEND knob

It adjusts the mixed signals after each channel fader and outputs to the ECHO SEND terminal.

### 4 RF/SIGNAL indicators

They light up regardless of the position of channel fader when sound signal of more than -20dB to the standard input level are input.

As for MIC 1/MIC 2 would be light up when it received the signal while the wireless tuner unit is installed and switch of the microphone is turned on.

### 5 ECHO RETURN switch

When it is ON, the signal from the ECHO RETURN input are assigned to L/R and Rec Bus.

### 6 MUTING button

Use muting outputs from MASTER OUTPUT, MASTER INSERT, ECHO SEND, MIC GROUP OUT, and SPEAKER output terminals.

### 7 CLIP indicator

Too high an output level will cause signal distortion and make the CLIP indicator light up. When this happens, lower the MASTER volume or the MIC/LINE level knob until the indicator turns off. If too much signal output for an extended period, it may cause the equipment to overheat or to damage the speakers.

### 8 PROTECTION indicator

It lights up while the protection circuit is working. When the power is turned on, it also lights up for few seconds and it turns off when the amplifier become stable.

### 9 EMG indicator

It lights up when the unit receives a signal from the emergency broadcast facilities and turns to standby. As for EMG, refer to P. 7[5].

### 10 +48V indicator

It lights up while the Phantom power (DC+48V) is supplied through the MIC input terminal.

### 11 MASTER VOLUME

Use to adjust the volume of MASTER OUTPUT and SPEAKER terminal.

### 12 MIC 4 terminal

This is input terminal in front for wired microphone. If the wired microphones are connected to the MIC 4 terminals both at front and rear panel, the front input is given priority.

**Note :** When you use the MIC 4, check the balanced connection.

### 13 MIC 1/MIC 2 fader knobs

Use to adjust the mixing level of MIC 1/MIC 2.  
Either the wireless microphone or the wired microphone can be used in MIC 1/MIC 2.  
(Refer to page 6 and page 9.)  
When the WRU-801A or WRU-806A (optional) is put in to the tuner unit compartment at the rear panel, the wireless microphone is given priority while it is on.

### 14 MIC 3 fader knob

Use to adjust the mixing level of MIC 3.  
Only the wired microphone can be used in MIC 3.

### 15 MIC 4 fader knob

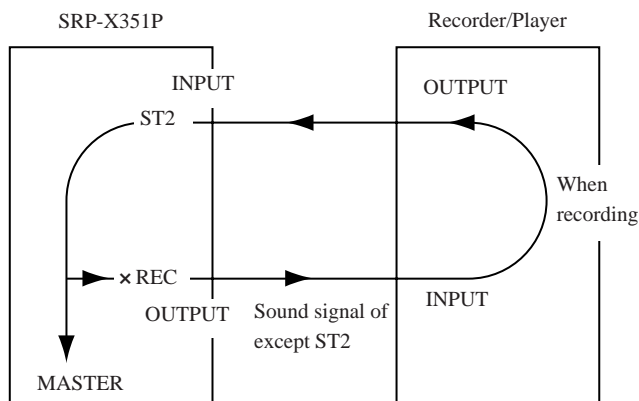
Use to adjust the mixing level of MIC 4.

### 16 ST1 fader knob

Use to adjust the mixing level of ST1.  
A playback unit will be connected to it mainly.

### 17 ST2 fader knob

Use to adjust the mixing level of ST2.  
The sound signal of this channel is not output to the REC OUTPUT terminal; you can use without being bothered about oscillation from signal loop.



### 18 ST3 Fader knob

Use to adjust the level of the signal from AV equipment selected by the SELECT button stated in 19.

### 19 SELECT buttons

Use to select one of the unit connected to ST3 A to D input.  
S VIDEO and VIDEO signal from the selected input is directly output to the MASTER OUTPUT and the REC OUTPUT.  
The mixing level of the sound signal can be adjusted by ST3 fader knob.

### 20 MIC GROUP knob

Use to adjust the level of the signal after mixing in MIC 1 to 4 in a lump.  
The signal will be output from the MIC GROUP OUT terminal.

### 21 Bass control knob

Use to adjust low frequency among the sound from the MASTER OUTPUT or SPEAKER terminal.

### 22 TREBLE control knob

Use to adjust high frequency among the sound from the MASTER OUTPUT or SPEAKER terminal.

### 23 BALANCE adjustment knob

Use to adjust the balance of left and right of the sound from the MASTER OUTPUT or SPEAKER terminal.

#### Note

##### When the PROTECTION indicator lights up

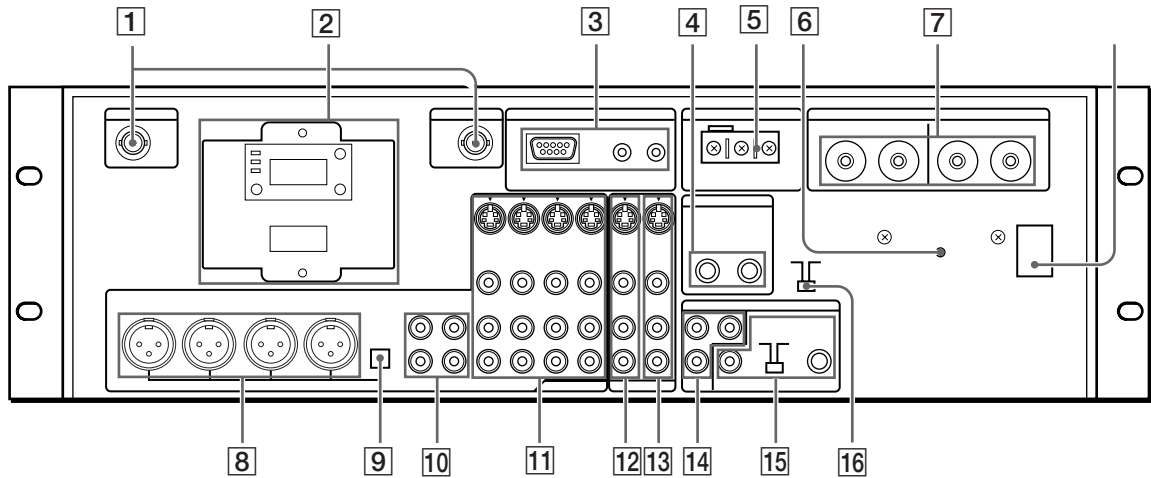
The protection circuit triggers and the PROTECTION indicator lights up in following conditions. In this case, the speaker and amplifier are protected by cutting output.

- When direct-current voltage appears in the SPEAKER terminal from a malfunction.
- When rated temperature of amplifier internal heat sink is exceeded.
- When impedance of the connected speaker is too low, or when speaker outputs are shorted.

**When the above happens, turn off the POWER switch, find and fix the cause of the problem, and restart.**

# Names and Functions

## Rear panel



### 1 ANT IN (antenna input) A/B terminals

Use to connect the antenna for wireless tuner. When installing the tuner unit, connect the optional UHF antenna WRU-801A/WRU-806A. As these terminals output DC power of 9V for the booster inside of the connected antenna, connection of any antenna other than stated above may cause bad performance or a malfunction. (the max supply current is 20 mA)

#### Note

Before locating and connecting the antenna, read carefully the instructions supplied with the antenna. Incorrect location of the antenna may cause a bad reception such as intermittent sounds. If it is not easy to relocate the antenna after location, check carefully if the performance will be satisfied with the location. Use the coaxial cable of impedance 50 ohms/75 ohms (5D-FB, 5C-2V, etc.). The cable can be extended up to about 50 m with 5D-FB, and up to about 25 m with 5C-2V.

### 2 Tuner unit slot (MIC1, MIC2)

These are for installation of the optional 800MHz wireless tuner unit WRU-801A/ WRU-806A. Up to two units can be installed. (Refer to page 9 how to install.) Before installation, read carefully also the instructions of WRU-801A/ WRU-806A.

### 3 REMOTE terminals

#### CONTROL S input terminal

Connect to the S output terminal of another equipment.

When this terminal is plugged in, the sensor of this unit is not functioning.

Input signals are directly output from control S output terminal.

#### CONTROL S output terminal

This terminal outputs the signal input from CONTROL S input terminal or the sensor.

#### RS-232C (serial input/output) terminal

Use to control this unit with a personal computer.

#### Connecting to a computer

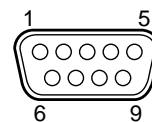
Connect the computer to the RS-232C terminal of this unit with a cross cable.

Terminal figure : D-sub 9 pin, male, inch type screw

Electrical specification : Based on RS-232C standard

Recommended cable : Plural leads shield cable for data communication

Cable length : 15m or under



Pin No.	Signal	Function
1	N.C	Not connected
2	RD	Received data
3	TD	Transmission data
4	ER	Data terminal ready
5	SG	Signal line grand
6	DR	Data set ready
7	RS	Transmission request
8	CS	Transmission approval
9	N.C	Not connected

**4 MASTER INSERT (Tip: output, Ring: input, Sleeve: GND)**

These are input/output terminals for MASTER OUTPUT. An external equipment can be inserted before master volume.

**5 EMG input terminals**

This terminal receives signal from the emergency broadcast facilities and makes this unit be in standby. In this case, the EMG indicator on the front panel lights up.

Select one of following two ways of connection as follows.

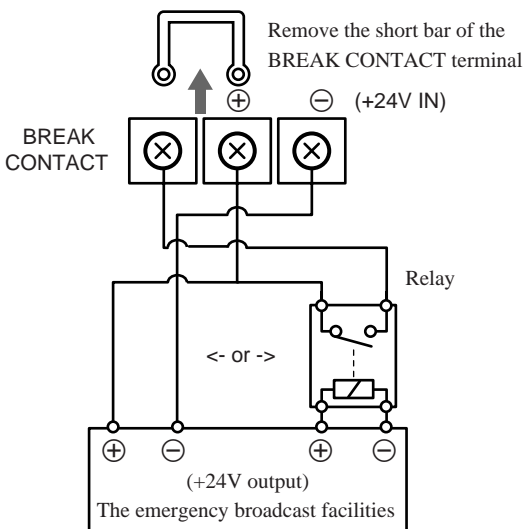
**When using the BREAK CONTACT terminal**

Remove the short bar of the Relay of the emergency broadcast facilities. When the relay is contact is broken, all AUDIO outputs of this unit will be cut off.

**When using the +24V IN terminal**

This terminal receives signals of DC24V from the emergency broadcast facilities.

When DC24V is cut off, all AUDIO outputs of this unit will be cut off.



**6 CIRCUIT BREAKER**

When over-current flows into the unit, the circuit breaker cuts the power. In this case, remove the cause of over-current and reset the breaker by pressing RESET button.

**7 SPEAKER output terminals**

Connect with the speakers. Connect + of the speaker to the red terminal and - to the black terminal. Use the speaker of 4 to 16 impedance.

**8 MIC input terminals (1:GND 2:HOT 3:COLD)**

This is the input terminals for microphones.

In MIC1 and MIC2, wireless microphone has priority while the tuner unit is used. (Refer to page 44.)

**9 +48V button**

It supplies the Phantom power (DC+48V) to the MIC 1 - 4 terminals for condenser microphones.

When it is ON, DC+48V is output for the MIC terminals except for the MIC4 on the front panel.

**Notes**

- Make sure to turn the MIC fader toward minimum before connecting or disconnecting any cable or turning the +48 button to ON.
- Make sure to connect a line equipment to ST1 to ST3 inputs.
- When using a microphone powered by +48V and a dynamic microphone simultaneously, the dynamic microphone may not show its performance to the full.

**10 ST1/ST2 input terminals**

Use them for inputs from audio equipment.

Connect a playback equipment mainly to ST1 and a record player to ST2.

**11 ST3 (AV) input terminals**

Use them for inputs from AV equipment.

Each of input A to D is selected by the SELECT button on the front panel.

**12 MASTER OUTPUT terminals**

Signal routed through the Master Volume are output here.

**13 REC OUTPUT terminals**

Signal not routed through the tone control (BASS, TREBLE), BALANCE and Master Volume are output here.

Video signal is the same as for MASTER OUT signal.

# Names and Functions

## 14 ECHO SEND/RETURN terminals

Connect effectors such as reverbrators and delay units to this terminal.

### SEND terminal

This terminal outputs audio signals mixed by ECHO/AUX SEND knob of MIC1 to MIC4 and ST1 to ST3 in monaural

### RETURN terminals

This is an input terminal for signal returned from the effector. When the ECHO RETURN switch on the front panel is set to ON, these are assigned to L and to R.

Adjust the input level using effector's level controller.

## 15 MIC GROUP and ASSIGN switch

### MIC GROUP OUTPUT terminal

It outputs signal of which level is adjusted by MIC GROUP knob.

### ASSIGN switch

This is normally on.

When this switch is set to OFF, the microphone signal for MASTER OUTPUT and SPEAKER terminals are cut off.

Using this, turn it OFF when a PA system with ceiling speakers and external power amplifier.

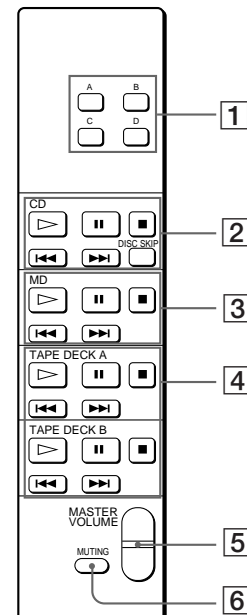
**INSERT terminal** (Tip: output, Ring: input, Sleeve: GND)

Use it to connect an external graphic equalizer or a feedback reducer.

## 16 MODE switch

It will be monaural when MASTER INSERT, MASTER OUTPUT and SPEAKER output are set to MONO.

## Remote control



### 1 FUNCTION button

Use to select one of ST3 A to D input.

### 2 CD deck operation buttons

Use to operate the Sony CD deck.

### 3 MD deck operation buttons

Use to operate the Sony MD deck.

### 4 TAPE deck operation buttons (A, B)

Use to operate the Sony TAPE deck.

### 5 MASTER VOLUME operation knob

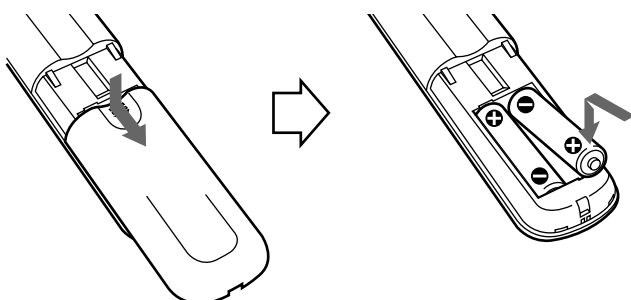
Use to adjust the master volume level.

### 6 MUTING button

Use to mute the output signal from MASTER OUTPUT, MASTER INSERT, ECHO SEND, MIC GROUP OUTPUT or SPEAKER output terminals.

## Inserting batteries into the remote

You can control this unit with using the supplied remote. Insert two R6 (size AA) batteries by matching the + and - on the batteries. When using the remote, point it at the remote sensor on the equipment.



### When to replace batteries

With normal use, the batteries should last for about six months. When the remote no longer operates the equipment, replace all the batteries with new ones.

### Notes

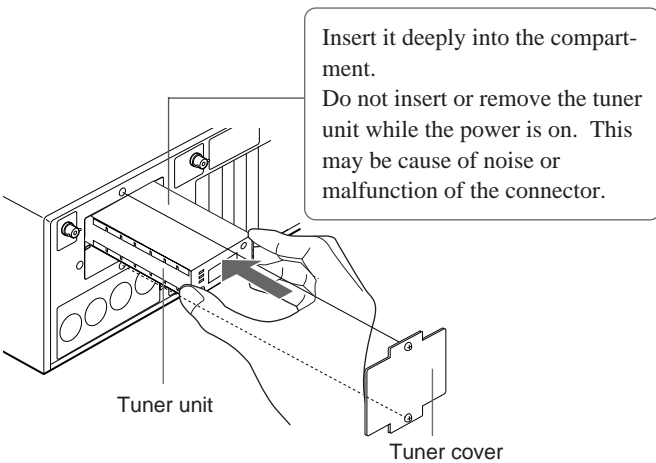
- Do not leave the remote near an extremely hot or humid place.
- Do not drop any foreign object into the remote casing, particularly when replacing the batteries.
- Do not expose the remote sensor to direct sunlight or lighting apparatuses. Doing so may cause a malfunction.
- If you don't use the remote for an extended period of time, remove the batteries to avoid possible damage from battery leakage and corrosion.



# Installation of The Tuner Unit

- 1** Turn off the power of this unit.
- 2** Remove the tuner cover.
- 3** Check the up and down sides of the tuner unit, and insert it into the slot.

The upper slot corresponds to MIC1 and the lower slot to MIC2. (Set the group and channel of the tuner unit to same as wireless microphone's one.)



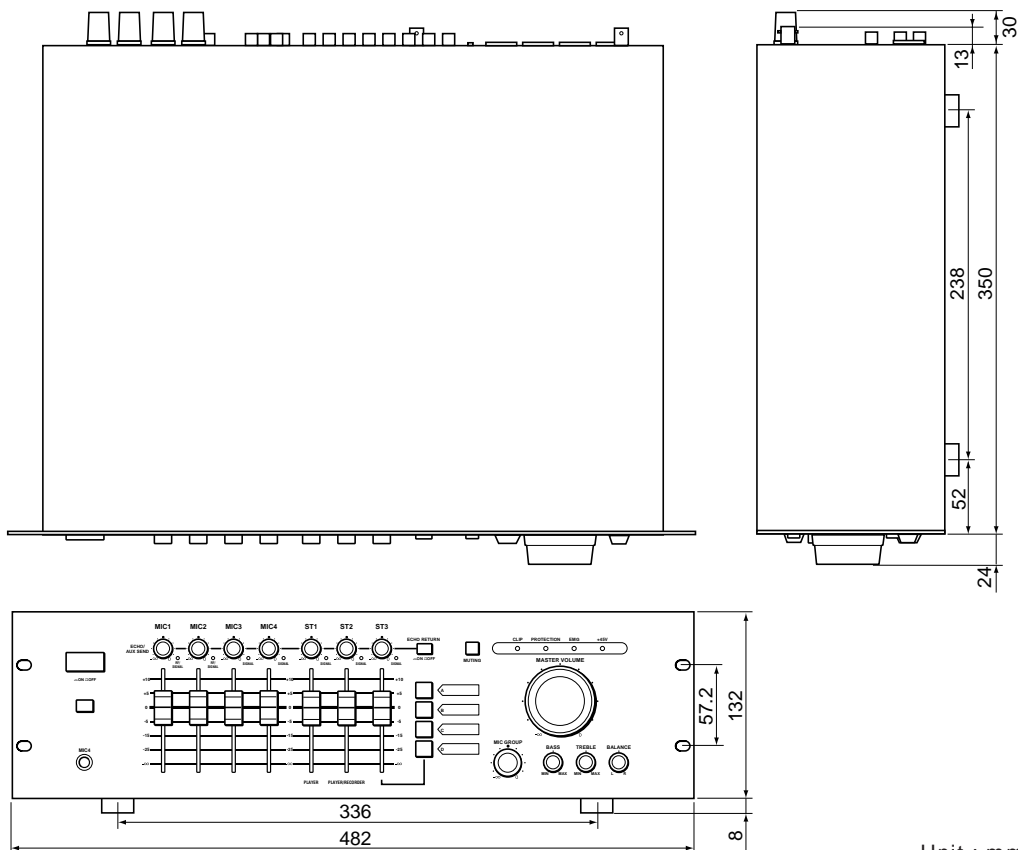
- 4** Fix the tuner cover.

After installation of the tuner unit, turn on the power of the unit and turn on the power of the wireless microphone to check it is receiving. While receiving, the RF/SIGNAL indicator lights up. Note that the RF/SIGNAL indicator will not light up when the setting channel of the microphone is different from the setting of the tuner unit, or when the microphone power is consumed.

### NOTICE

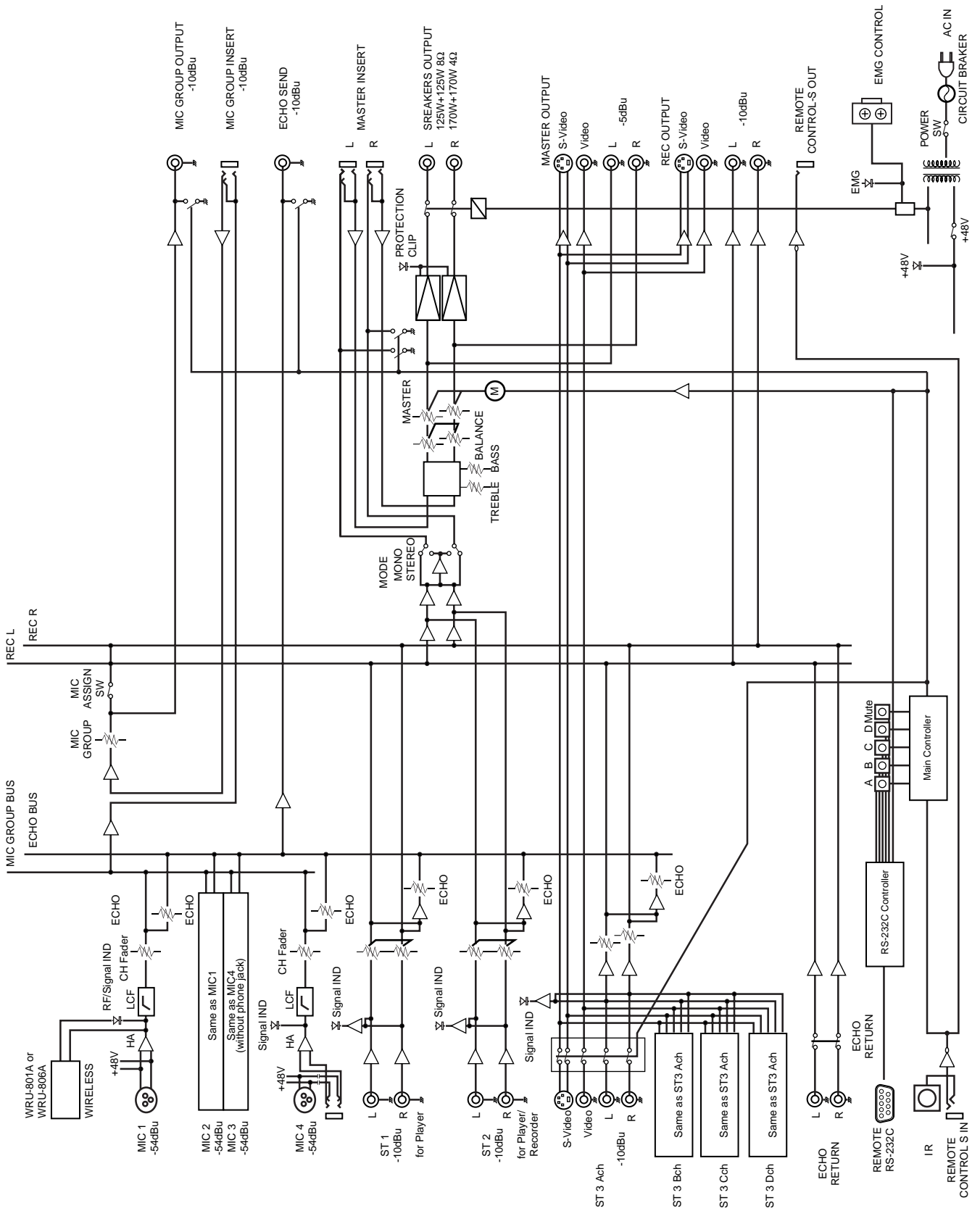
To prevent breakdown or injury, do not put your hand inside of the slot except when you install or remove the tuner unit.

# External Dimensions



Unit ; mm

# Block Diagrams



# Main Specifications

## AUDIO INPUT/OUTPUT SPECIFICATIONS

Name	Connector Type	Number of channels	Standard input/output level	Max input/output level	Input/output impedance
MIC IN (REAR) (FRONT)	XLR-3-31 PHONE	4	-54dBu	-24dBu	2.2kΩ
ST1 input	Phono Jack	1(Stereo)	-10dBu	+20dBu	20kΩ
ST2 input	Phono Jack	1(Stereo)	-10dBu	+20dBu	20kΩ
ST3 input(A,B,C,D)	Phono Jack	4(Stereo)	-10dBu	+20dBu	20kΩ
Echo return input	Phono Jack	1(Stereo)	-10dBu	+10dBu	20kΩ
Mic group output	Phono Jack	1	-10dBu	+10dBu	470Ω
Echo send	Phono Jack	1	-10dBu	+10dBu	470Ω
Master output	Phono Jack	1(Stereo)	-5dBu	+15dBu	470Ω
Rec output	Phono Jack	1(Stereo)	-10dBu	+10dBu	470Ω
Speakers output	Screw type binding terminal	1(Stereo)	Rated output 125W + 125W (8Ω 1kHz THD 0.1%) 170W + 170W (4Ω 1kHz THD 0.1%)		

## VIDEO INPUT/OUTPUT SPECIFICATIONS

ST3 input(A,B,C,D) (S-VIDEO) (VIDEO)	Mini-DIN Phono Jack	4	1Vp-p(Y) 1Vp-p		75Ω 75Ω
Master output Rec output (S-VIDEO) (VIDEO)	Mini-DIN Phono Jack	2	1Vp-p(Y) 1Vp-p		75Ω 75Ω

## CONTROL TERMINAL SPECIFICATIONS

RS-232C terminal	D-sub 9 male	1	7 function is controled
CONTROL-S input	φ 3.5 jack	1	
CONTROL-S output	φ 3.5 jack	1	Through out from input
EMG CONTROL	Screw type terminal	1	Break contact, 24V signal control (Active "break")

## OTHER TERMINALS

Antenna in	BNC	2	DC 9V out	20mA max
+48Vphantom power	Power supply for MIC 1 to 4 XLR terminals only			

## ELECTRICAL CHARACTERISTICS

	ITEM	MEASUREMENT CONDITIONS	STANDARD
AUDIO SYSTEM	Frequency characteristics	20 to 20kHz, 1kHz reference, master output	+0.5, -1dB
	Total harmonic distortion	MIC IN-Master output, 1kHz -54dBu input ST input -Master output, 1kHz -10dBu input	less than 0.05% less than 0.01%
	Input conversion noise level	MIC IN input, 150Ω termination, IHF-A	less than -126dBu
	S/N ratio	ST input, input short, IHF-A	more than 85dB
	Residual noise level	Master volume 0, IHF-A, Speaker output	less than 100μV
	Crosstalk	1kHz, between L-R channels 1kHz, between input channels	less than -60dB less than -80dB
	TONE	MIC L.C.F fc=100Hz TREBLE 10kHz (shelving type) BASS 60Hz (peaking type)	-12dB/oct ±12dB ±12dB
VIDEO SYSTEM	Frequency characteristics	50 to 10MHz, reference 3.58MHz	+0.5dB, -1dB
	Crosstalk	3.58MHz, 1Vp-p	less than -50dB
	S/N ratio	100kHz, H.P.F, 5MHz, L.P.F	more than 65dB
S-VIDEO	Frequency characteristics	50 to 10MHz, reference 3.58MHz	+0.5dB, -1dB
	Crosstalk	3.58MHz, 1Vp-p	less than -50dB
	S/N ratio	100kHz, H.P.F, 5MHz, L.P.F	more than 65dB

<b>Power requirement</b>	AC 230V 50/60Hz
<b>Power consumption</b>	400W
<b>Dimensions</b>	482 × 132 × 350 (width/height/depth) mm not including max protrusion
<b>Weight</b>	15kg

<b>Operating temp.</b>	0°C to 40°C
<b>Storage temp.</b>	-20°C to 60°C
<b>Suplied accessories</b>	Operating instructions (1) Remote control (SRP-351RM) (1) Battery R6 SIZE AA (2)

# Troubleshooting

Power will not turned on.	<ul style="list-style-type: none"><li>• Is the power cord unplugged?</li><li>• Is the curcuit breaker working? (See page 7.)</li></ul>
No sound.	<ul style="list-style-type: none"><li>• Does the EMG indicator turn off? (See pages 4 and 7.)</li><li>• Does the PROTECTION indicator turn off? (See page 4.)</li></ul>
No sound is output to MASTER OUTPUT or SPEAKER terminals from microphone.	<ul style="list-style-type: none"><li>• Has the ASSIGN switch been set to OFF? (See page 8.)</li><li>• Has the MIC GROUP knob been set to <math>-\infty</math>? (See page 5.)</li></ul>
No sound from wireless microphone.	<ul style="list-style-type: none"><li>• Is the channels of microphone and tuner unit matching? And does the RF/SIGNAL indicator light on when the microphone is turned on? (See page 9.)</li><li>• Is the antenna connected correctly?</li></ul>
Sound is heard in monaural.	Has the MODE switch been set to STEREO? (See page 8.)
Sound is distorted.	Is the CLIP indicator lighting on? (See page 4.)
No sound from MIC4.	Has another microphone been connected to MIC4 terminal on the front panel?(See page 4.)
Wireless remote control does not function.	<ul style="list-style-type: none"><li>• Has a plug been connected to CONTROL-S input terminal on the rear panel?(See page 6.)</li><li>• Are the remote control batteries dead?(See page 8.)</li></ul>
Signal of the ST2 can not be recorded.	Signal from ST2 does not output to REC OUTPUT. (See page 5.)